

ShowerTablet Select

Bath thermostat 300 for exposed installation

Surfaces: **Chrome** Article Number: **13151000**



Description

product features

- projection 192 mm
- 2 outlets
- simultaneous utilization by 2 outlets
- centre distance: 150 ± 12 mm
- flow rate for bath spout at 3 bar: 20 l/min
- flow rate of hand shower at 3 bar: 16 l/min
- thermostat cartridge, Select valve
- min. operating pressure: 1 bar
- max. operating pressure: 10 bar
- safety lock at 40° C
- temperature limitation adjustable
- with isolated water conduction
- non-return valve
- with silencer
- material handles: metal
- shelf made of safety glass
- surface of the shelf at color variant -000 = mirror glass, at color variant -400 = white glass
- in case of installation on existing G 3/4 connections, adaptor no.02026000 must be used
- connection type: G 1/2
- connection dimension: DN15
- dirt filter included

Technology



Design awards



2014

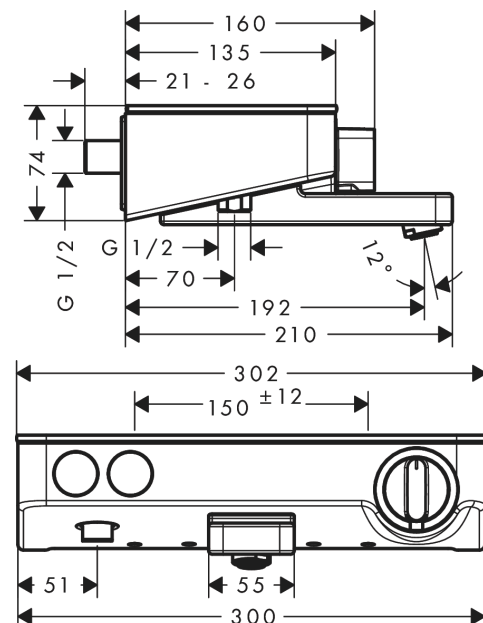


Focus Open 2013
Silver

Product image



Scale drawing



ShowerTablet Select
Bath thermostat 300 for exposed installation
 Surfaces: **Chrome** Article Number: **13151000**



Flowchart

