

Croma Select E
Showerpipe 180 2jet with single lever mixer
 Surfaces: **White/Chrome** Article Number: **27258400**



Description

product features

- consists of: overhead shower, hand shower, single lever shower mixer, shower hose, slider
- overhead shower Croma Select E 180 2jet
- shower head size: 180 x 180 mm
- ball-joint: overhead shower angle adjustable
- spray type: Rain, IntenseRain
- flow rate IntenseRain spray (at 0.3 MPa): 16 l/min
- flow rate Rain spray (at 0.3 MPa): 16 l/min
- operating pressure: min. 0.15 MPa/max. 1.0 MPa
- shower arm length: 400 mm
- swivelling shower arm
- height-adjustable hand shower holder
- installation type: exposed installation
- connection dimension DN15
- connection thread G 1/2
- centre distance 150 ± 12 mm
- ceramic cartridge
- temperature limitation adjustable
- rising pipe can be shortened in height

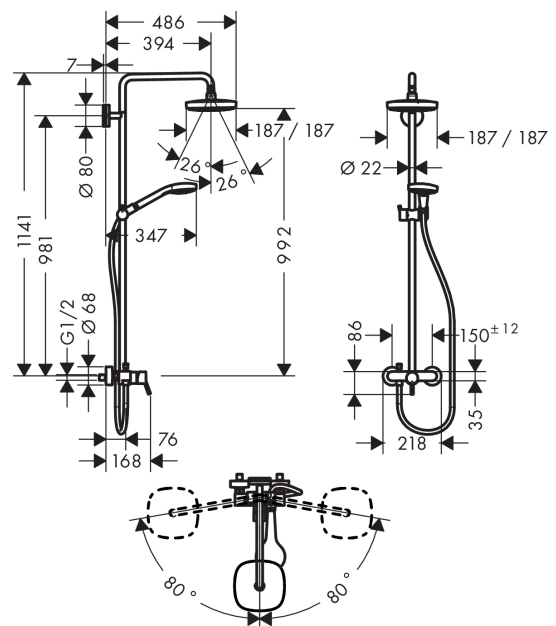
Technology



Product image



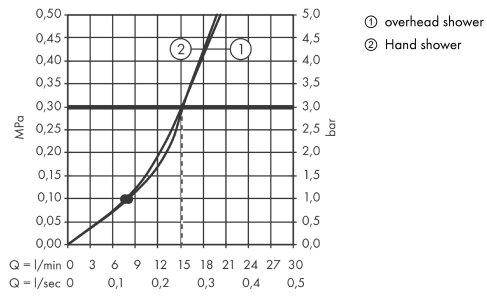
Scale drawing



Croma Select E
Showerpipe 180 2jet with single lever mixer
 Surfaces: **White/Chrome** Article Number: **27258400**



Flowchart



Croma Select E
Showerpipe 180 2jet with single lever mixer
 Surfaces: **White/Chrome** Article Number: **27258400**



Installation examples

